

MVK I/O COMPACT MODULE, METAL

Profibus DP, 16 dig In / Diag.

Digital inputs

DI8 DI8

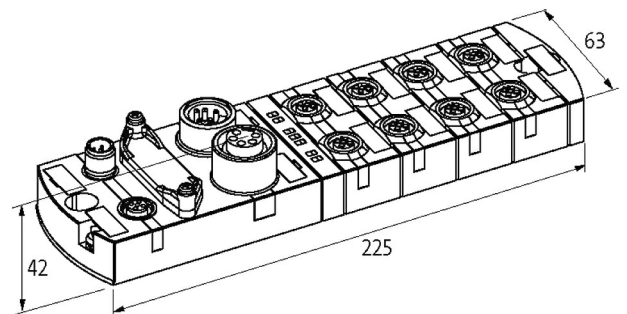
PROFIBUS 12 Mbit/s; M12, B-coded

7/8", 5-pole, 2× max. 9 A

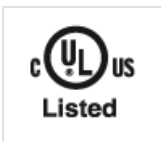
M12, 5-pole, A-coded

Connection cables are in the online shop under "Connection Technology".

Housing fully potted.

Illustration

Product may differ from Image

Approvals**More Info****Input**

Sensor supply US	24 V DC (EN 61131-2), max. 200 mA (M12 female), short-circuit and overload protected
Type	for 3-wire sensors or mechanical switches, PNP

Connections

Fieldbus	PROFIBUS 12 Mbit/s; M12, B-coded
Sensor-system/actuator supply	7/8", 5-pole, 2× max. 9 A
I/O ports	M12, 5-pole, A-coded

General data

Protection	IP67
Mounting method	2-hole screw mounting
Dimensions H×W×D	42×63×225 mm
Temperature range	-25...+55 °C (storage temperature -25...+70 °C)

PROFIBUS

Addressing	Rotary switch 1...99
------------	----------------------

Parameterization

PIN 4	Input
PIN 2	Input/Diagnostic

Diagnostic

Communication status	via LED
Diagnostic via LED	per module and channel
Diagnostic via BUS	per module and channel
Monitoring - under voltage	yes
Monitoring - no voltage	yes
Short-circuit and overload	yes
Actuator warning	per channel via LED and BUS
Cable break	per port

Commercial data

country of origin	DE
customs tariff number	85389099
EAN	4048879051484
eClass	27242604
Packaging unit	1